

MODELS N-1 AND N-2



A creep action thermal protector with greater current sensitivity than the Model N. Equipped with gold diffused contacts for use in low voltage/low current applications.

FEATURES

- Conductive bimetal construction; the bimetallic element carries the circuit current for maximum current sensitivity under short circuit conditions.
- Creep action device; no built-in differential between opening and closing.
- Preset calibration temperature; not adjustable in the field.
- Case electrically alive; insulating sleeving is available.
- Equipped with gold diffused, fine silver contacts for use in low voltage/low current applications.

CONTACT RATINGS

- 2.6 amps/120 volts AC inductive

See pages 28-32 for further details.

MAXIMUM BREAKING CURRENT (DC TYPE BATTERY LOADS)

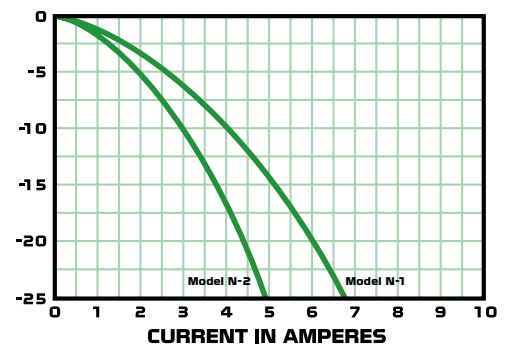
- Up to 100 amps/12 volts DC.

Please consult our Sales Engineers for suggested contact ratings when applied to DC type loads.

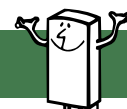
CALIBRATION TEMPERATURE RANGE

- Available with nominal calibration temperatures from 30°C to 130°C.

CURRENT DERATING CURVE



We come through when the heat is on™

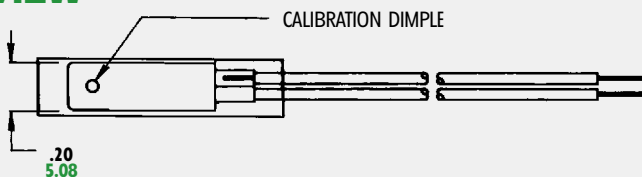


Pepi®

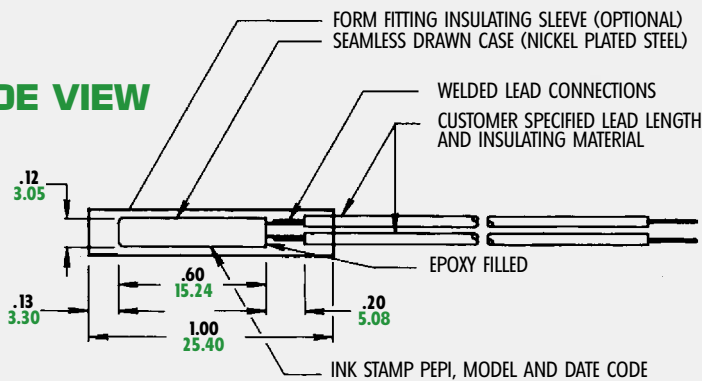
Portage Electric Products, Inc.

MODELS N-1 AND N-2

TOP VIEW



SIDE VIEW



METRIC DIMENSIONS ARE IN MM (SHOWN IN GREEN)

Copyright 2006, Portage Electric Products, Incorporated, all right reserved