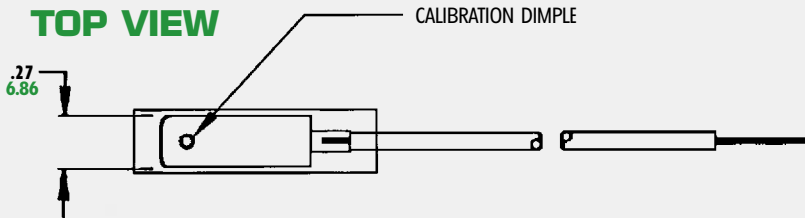


MODEL L

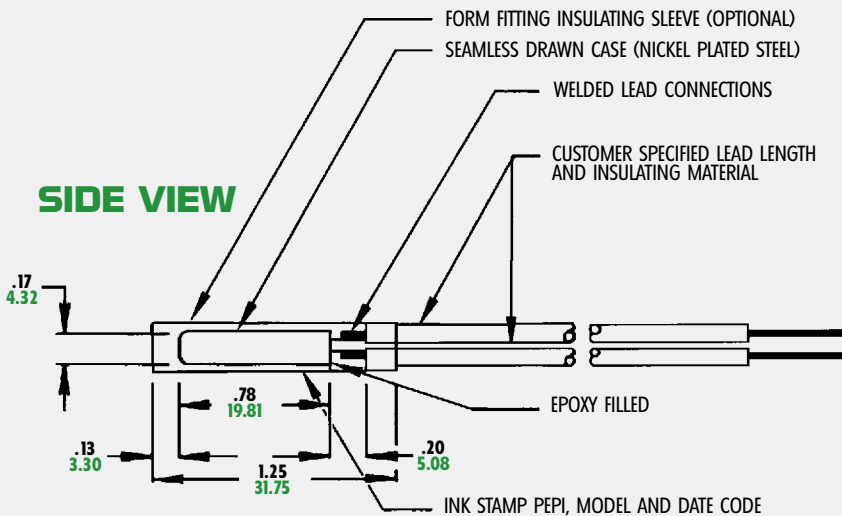


MODEL L

TOP VIEW



SIDE VIEW



METRIC DIMENSIONS ARE IN MM (SHOWN IN GREEN)

Copyright 2006, Portage Electric Products, Incorporated, all right reserved

A creep action thermal protector with a shunted type bimetal design. This lowers the current sensitivity and slows the cycle rate of the device. Available with gold diffused contacts for use in low-voltage/low current applications.

FEATURES

- Shunted bimetal construction; the bimetallic element does not carry the circuit current.
- Creep action device; slow make/slow break switching action.
- Frictional differential between opening and closing varies from 2°C to 10°C from the opening temperature.
- Preset calibration temperature; not adjustable in the field.
- Case electrically alive; insulating sleeving is available.
- Equipped with gold diffused, fine silver contacts for use in low voltage/low current applications.

CONTACT RATINGS

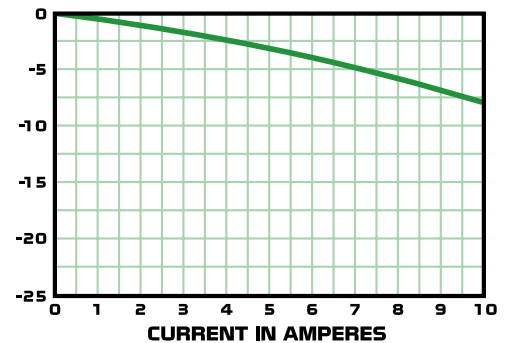
- 2.5 amps/120 volts AC inductive

Please consult our Sales Engineers for suggested contact ratings when applied to DC type loads.

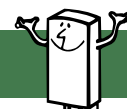
CALIBRATION TEMPERATURE RANGE

- Available with nominal calibration temperatures from 45°C to 150°C

CURRENT DERATING CURVE



We come through when the heat is on™



Pepi®

Portage Electric Products, Inc.