

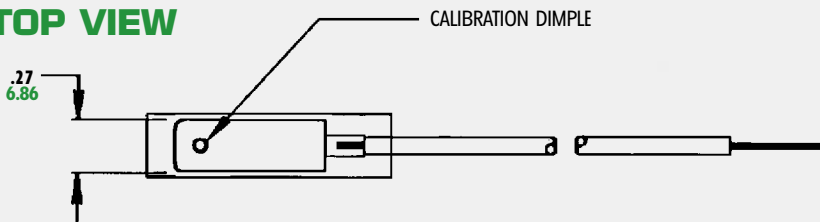
MODEL F SERIES

A thermal protector utilizing snap-action design. It is suitable for use on 120/240/277 VAC applications. Available with a variety of bimetallic elements to vary the circuit breaker characteristics of the device.

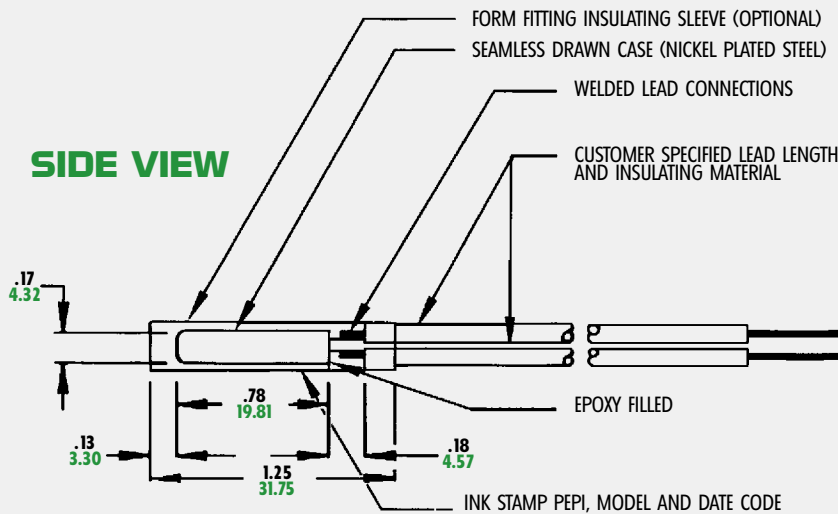


MODEL F SERIES

TOP VIEW



SIDE VIEW



METRIC DIMENSIONS ARE IN MM (SHOWN IN GREEN)

Copyright 2006, Portage Electric Products, Incorporated, all right reserved

FEATURES

- Conductive bimetal construction; the bimetallic element carries the circuit current for maximum sensitivity under short circuit conditions.
- Snap-action device; quick make/quick break switching action.
- Temperature differential between opening and closing can vary from 10°C to 70°C depending upon the no-load calibration temperature.
- Case is electrically alive; insulating sleeving is available.
- Preset calibration temperature; not adjustable in the field.

CONTACT RATINGS

- 5 amps/277 volts AC inductive
- Tungsten rated for 10,000 cycles
- VDE certified

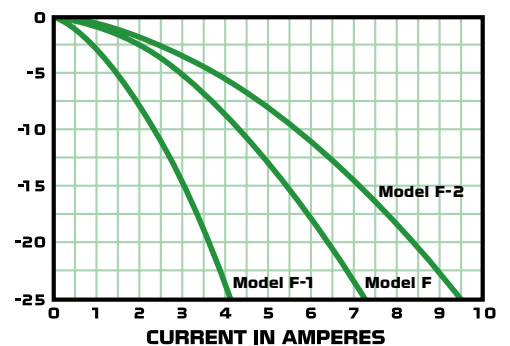
NOTE: SPECIAL STAMPING REQUIRED

Please consult our Sales Engineers for suggested contact ratings when applied to DC type loads.

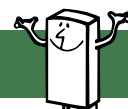
CALIBRATION TEMPERATURE RANGE

- Available with nominal calibration temperatures from 60°C to 150°C.

CURRENT DERATING CURVE



We come through when the heat is on™



Pepi®

Portage Electric Products, Inc.